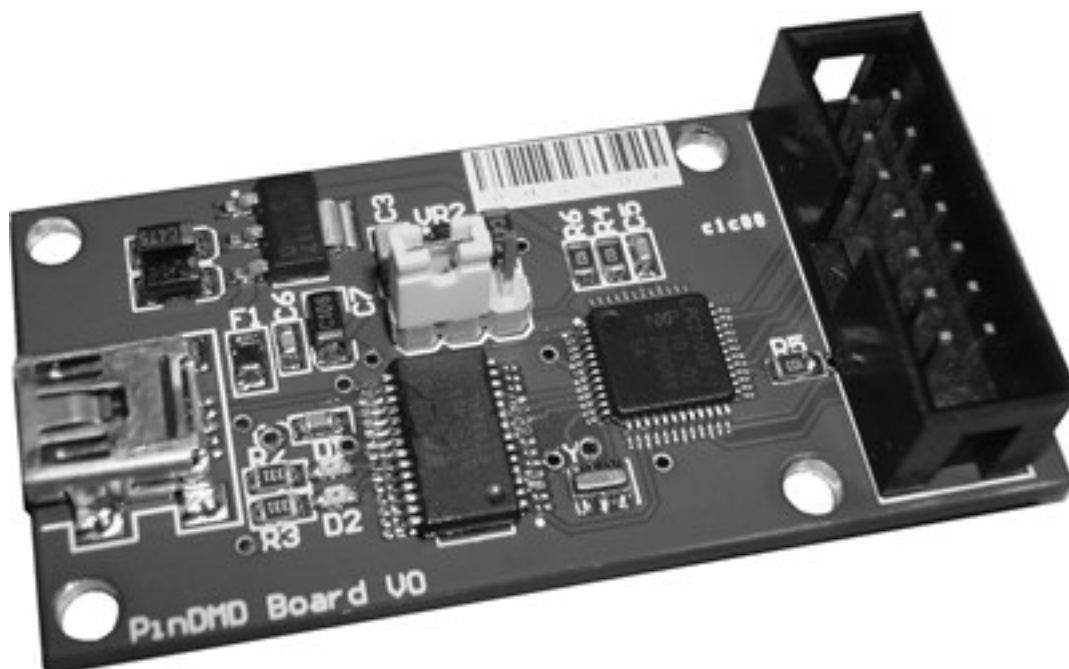


pinDMD Application Note AN003



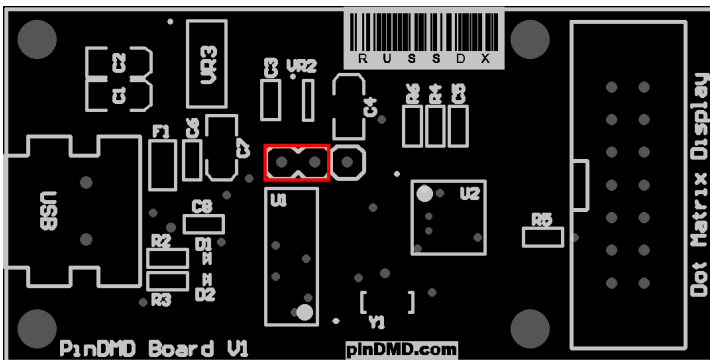
INTRODUCTION

The pinDMD's firmware can be updated to give it new features or update bug's from a previous version of the firmware. The aim of this application note is to guide you through the process of upgrading the pinDMD's firmware.

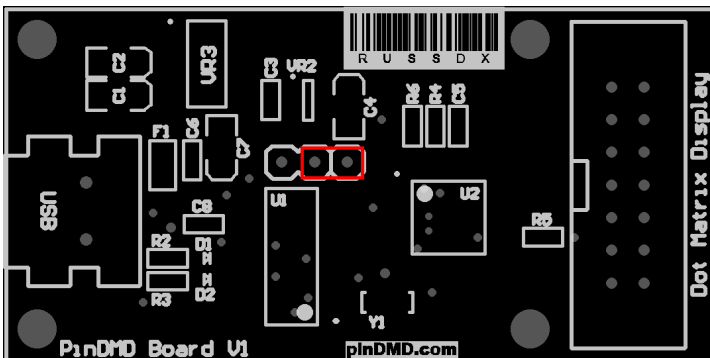
UPDATING FIRMWARE

Note: It is not recommended you update the firmware unless advised to do so. The pinDMD board can be rendered unusable from a incorrectly applied firmware update.

The yellow jumper link is used to update the pinDMD firmware (Default position: LEFT)



This is the default jumper position for normal pinDMD board operation.



This is the jumper position when updating the pinDMD board firmware

Download the pinDMD firmware update pack from [firmware.zip](#)

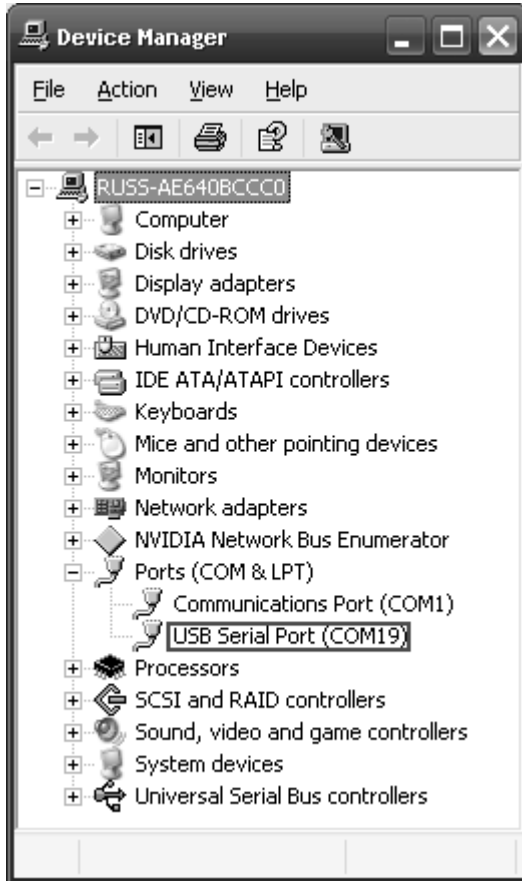
Note: Make sure VPinball.exe is closed and there is no tables running.

With the pinDMD board powered up. Move the jumper into the firmware update position.

Edit the update.bat changing the com port number to the com port number of the pinDMD board

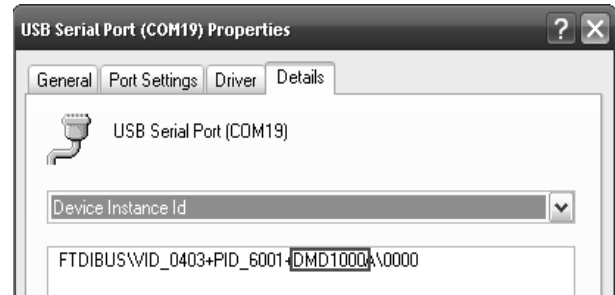


The pinDMD com port number can be found using windows Device Manager



If you are unsure which USB Serial Port belongs to the pinDMD board.

- Right click *Properties*
- Click the *Details* tab



DMD1000 should be in the *Device Instance Id*

Save and run the update.bat file by double clicking on it. If the update was successful the command window should be similar to this.

```
updating pinDMD firmware
numDevs:1
pinDMD device found
C:\svn\Projects\Electronics\Projects\usbDMD\ARM>load21kx 2103 dmd128x32.hex com19
Copyright 2007, Coridium Corp., may be used for loading Coridium Hardware, or licensees

CPU type 2103
dmd128x32.hex 7620 bytes loaded
Synchronizing
Setting oscillator
Un lock

Writing Sector 0 [4096]: .....
Writing Sector 1 [4096]: .....
Download done
```

Move the jumper back into the default run position.

Reset the pinDMD board by unplugging it then plugging it back in.

The firmware has now been updated.